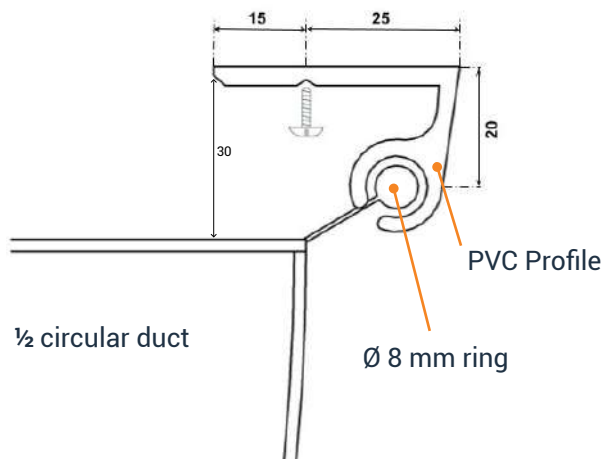




► PVC PROFILE

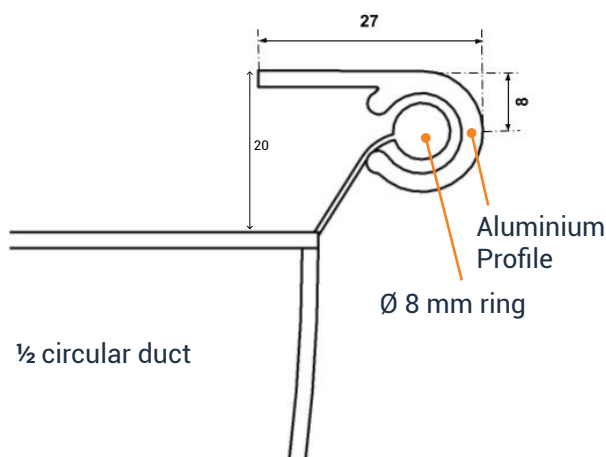
His hanging system is used for ½ and ¼ circular duct with Ø 8 mm ring.



- Material : Polyvinyl chloride for good usage
- Weight : 370 g/m
- Packing : 3 meter bars
- Bulkiness : 30 mm height from top of the duct to the high part of the profile
- Mounting : Screw every 50 cm

► ALUMINIUM PROFILE

This hanging system is used for ½ and ¼ circular duct with Ø 8 mm ring.



- Material: aluminium alloy for food usage
- Weight: 250 g/m
- Packing: 5 meter bars
- Bulkiness : 20 mm height from top of the duct to the high part of the profile
- Mounting : screw every 50 cm