

# SUPPLY FERRULE FOR TEXTILE DUCT

by Aero Textile Concept

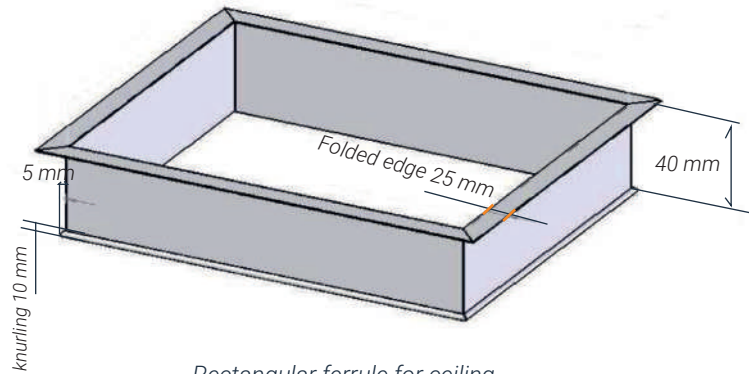


Textile ducts are set up on rigid ferrules that need to respect the dimensions illustrated below.

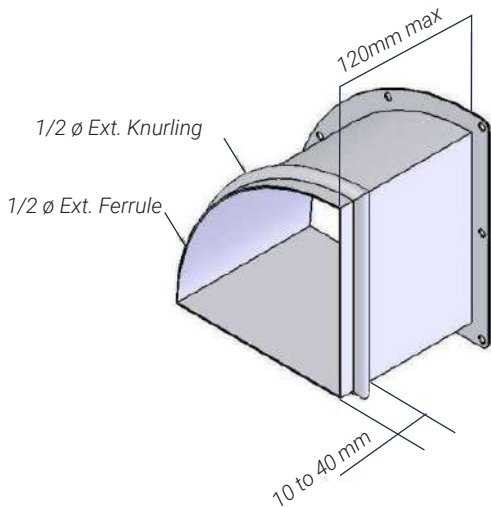
It is the responsibility of the installer to plan the supply ferrules during the installation, and to respect these dimensions.

It is on this ferrule that the reinforced collar will be fixed. The knurling of the ferrule is necessary (as) it reduces the risk of sliding of the ratchet strap.

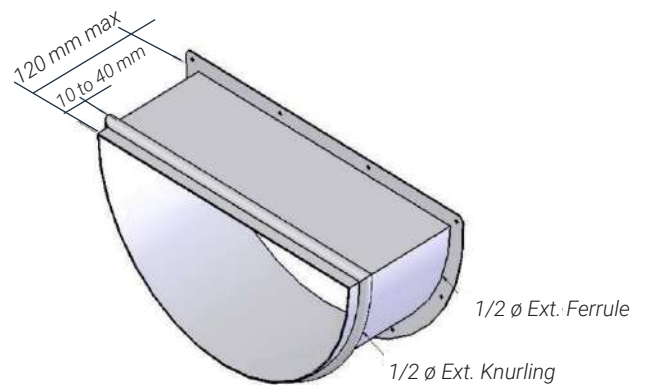
If the reinforced collar has eyelets, the ferrule need to be drilled to enable the fixation.



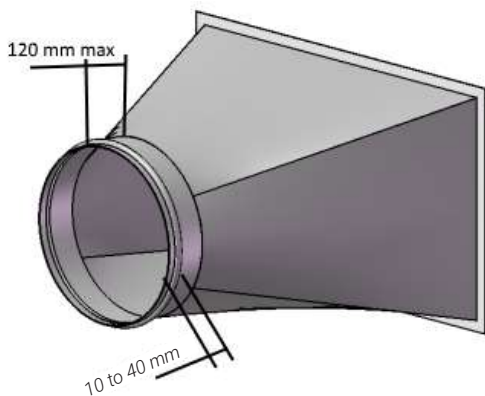
Rectangular ferrule for ceiling  
(supply from the top of the duct)



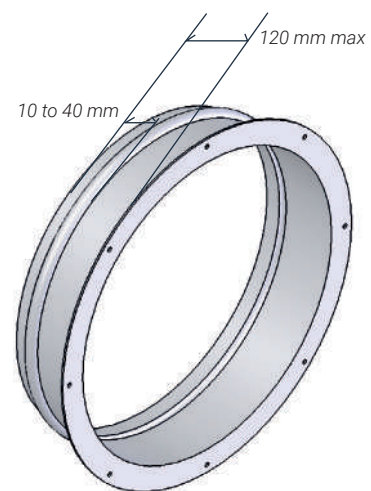
1/4 circular ferrule  
(Supply from the edge of the duct)



1/2 circular ferrule  
(Supply from the edge of the duct)



Rectangular adaptation towards circular ferrule  
(Supply from the edge of the duct)



Circular ferrule  
(Supply from the edge of the duct)