

SHIPPER

RECIPIENT

Company :
Contact :
Tel :
Email :

Company :
Contact :
Tel :
Email :

3 rue de l'industrie
69530 Brignais - France
Tel : (+33) 04 78 05 35 54
Fax : (+33) 04 78 05 36 24
Web : www.aerotextile.com

Reference :

Type of premises / Application :

Offer :

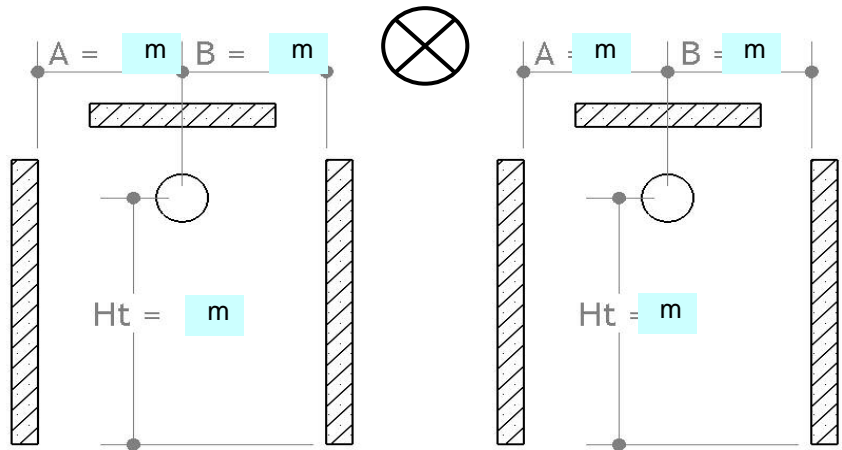
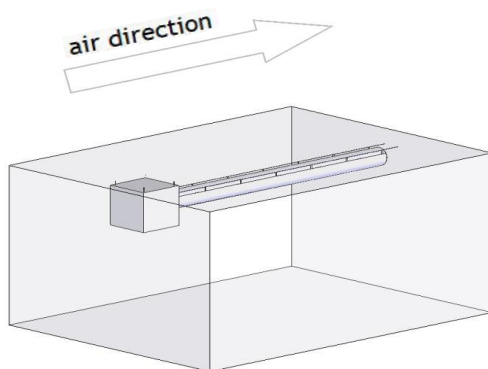
Date :

Number of pages :

TECHNICAL DATA FOR THE AERAILIC STUDY

The return of this document duly completed and signed will directly influence our delivery date.

Duct number		
Quantity		
Type of duct		
Shape		
Diameter [mm]		
Length [m]		
Airflow [m ³ /h]		
Static pressure at the inlet of the fabric network [Pa]		
Blowing temperature in summer [°C]		
Ambient temperature in summer [°C]		
Blowing temperature in winter [°C]		
Ambient temperature in winter [°C]		
Extraction position	<input type="checkbox"/> low part	<input type="checkbox"/> high part <input type="checkbox"/> messy
Height of the room [m]		
Height of the racks [m]		
Height of the duct axis [m] Ht	Please complete the drawing below or provide a drawing (with plan view and section view)	
Left throw [m] = A		
Right throw [m] = B		
Sensation of air tolerated ?	<input type="checkbox"/> no <input type="checkbox"/> yes, in that case, please specify :	
Presence of staff ?	<input type="checkbox"/> in fixed post <input type="checkbox"/> in mobile post <input type="checkbox"/> no	



Hanging system :

Objectives of the air treatment :

Fabric / Color :

Notes :

Date :

Name :

Signature :